

Trouper® Storage Carts

Six Unit Storage Cart

- 130C001 91 lb (41 kg)
- All steel construction, zinc plated
- Dimensions: Empty: 30"w x 55"l x 59-1/4"h (762 x 1397 x 1505 mm)
Loaded: 30"w x 96"l x 59-1/4"h (762 x 2438 x 1505 mm)
- 8" diameter casters; two swivel and two rigid; swivel casters lock for safety
- Stage unit is simply rotated off cart and into position
- Fits through standard 36" (914 mm) doorway

Eight Unit Storage Cart

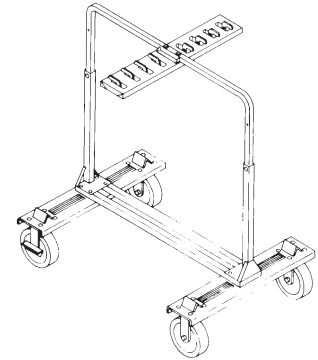
- 130C002 99 lb (45 kg)
- All steel construction, zinc plated
- Dimensions: Empty: 37-1/2"w x 54"l x 60-1/2"h (953 x 1372 x 1537 mm)
Loaded: 37-1/2"w x 96"l x 60-1/2" h (953 x 2438 x 1537 mm)
- 8" (203 mm) diameter casters, two swivel and two rigid; swivel casters lock for safety
- Stage unit is simply rotated off cart and into position
- 40" (1016 mm) doorway required

Twelve Unit Storage Cart

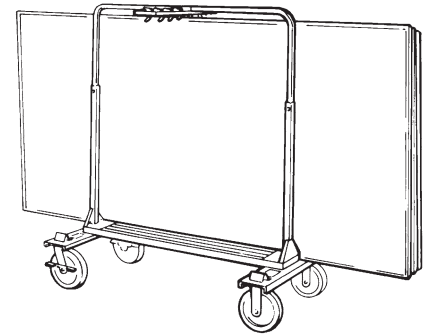
- 2289004 156 lb (71 kg)
- All steel construction, zinc plated
- Dimensions: Empty: 32"w x 99-1/4"l x 47-1/4"h (813 x 2521 x 1200 mm)
Loaded with 36" units: 32"w x 99-1/4"l x 47-3/4"h (813 x 2521 x 1213 mm)
Loaded with 48" units: 32"w x 99-1/4"l x 59-3/4"h (813 x 2521 x 1518 mm)
- Stage unit is simply rotated off cart and into position
- Fits through standard 36" (914 mm) doorway

Guardrail Cart

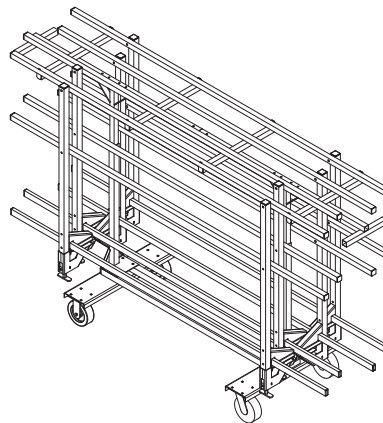
- 011D800 (91 lb) (41 kg)
- Stores up to eight Trouper guardrails
- Dimensions (loaded or unloaded): 27"w x 99"l x 59"h (686 x 2515 x 1499 mm)
- Ideal for space efficient storage of guardrails



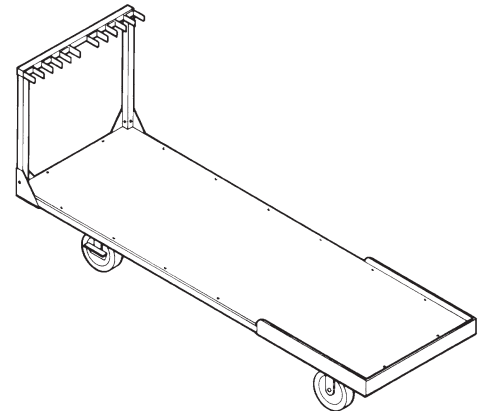
Six and Eight Unit Cart
(Eight Unit Cart shown)



Loaded Eight Unit Cart



Loaded Guardrail Cart



Twelve Unit Cart

